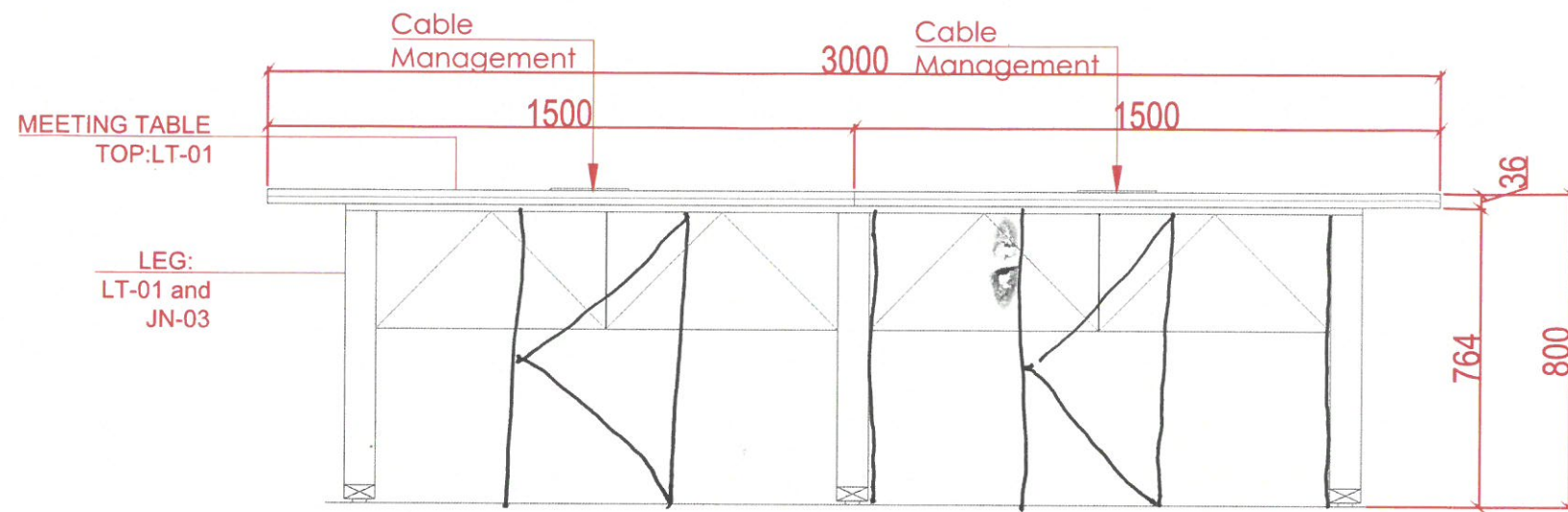


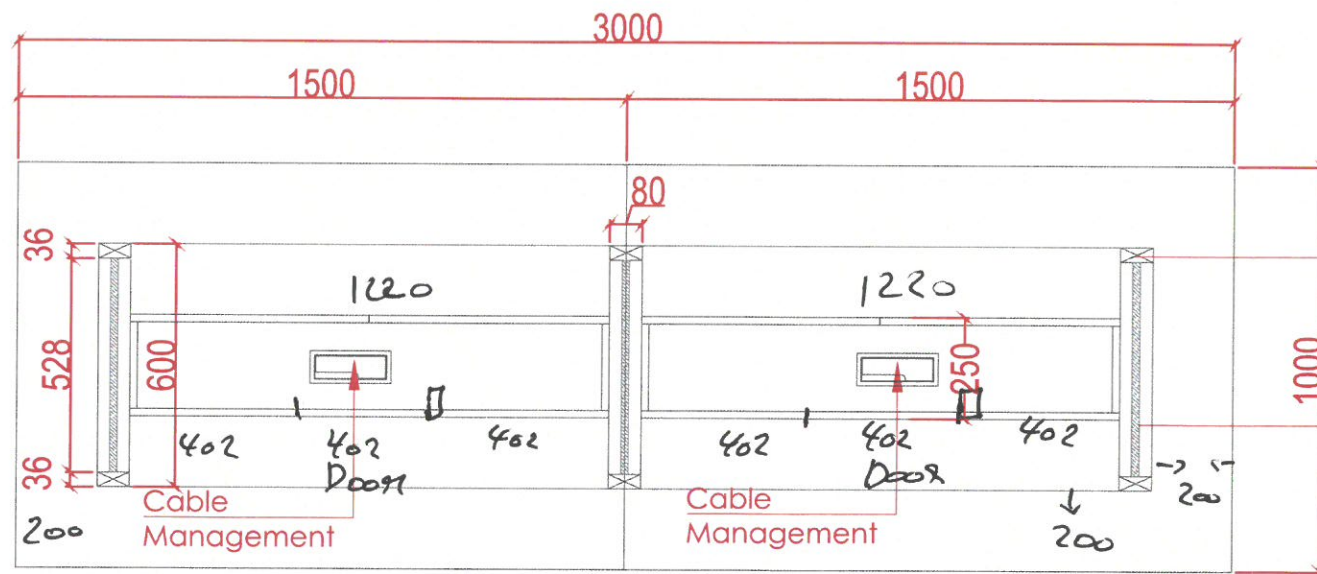
Conference Room 2  
MEETING TABLE  
3rd Floor



Front Elevation Details

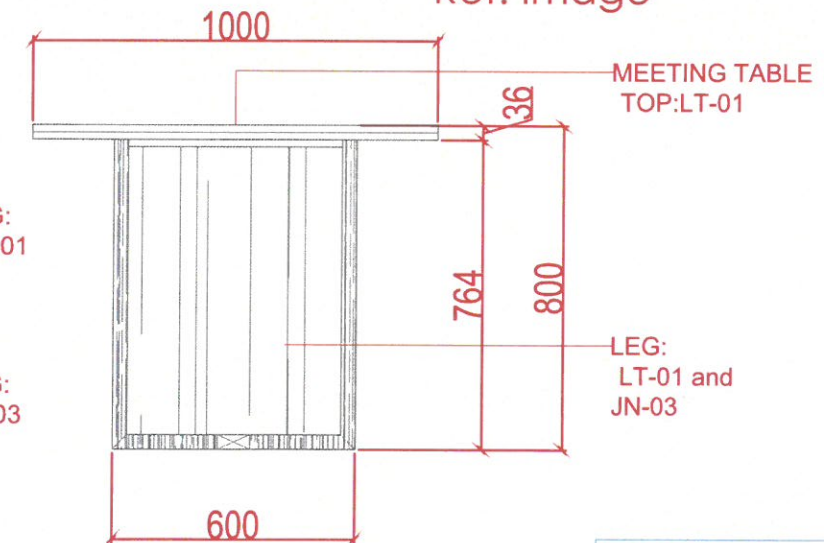


Ref. Image



Floor Plan Details

Walter Smith Cable mgmnt??? - 2 pcs  
Hinges - code  
Push to open ??? - 2 pcs



side view details



Project



Owner

Date	Description
DSD-V1-ID-27/1/2025 - REV1	
DSD-V1-ID-4/2/2025 - REV2	

FOR APPROVAL

FINISHES

JN-03	
LT-01	

Project No. : ---	
Scale : N/A	
Drawn by : OBJ	
Checked : OBJ	
Cad File : CAD_FILE	
Sheet title	
3rd FLOOR	
Conference Room 2	
Table	
Plan, Elevation and side view	
Dwg No.	No.
WS-DS-SD-ND-058	SHEET 1

9-SEATS  
**Conference Room 2**  
**3rd Floor**



www.wood-styles.com

Copyright of designs shown herein is retained by this office. Authority is required for any reproduction. © Copyright Wood-styles Ltd.

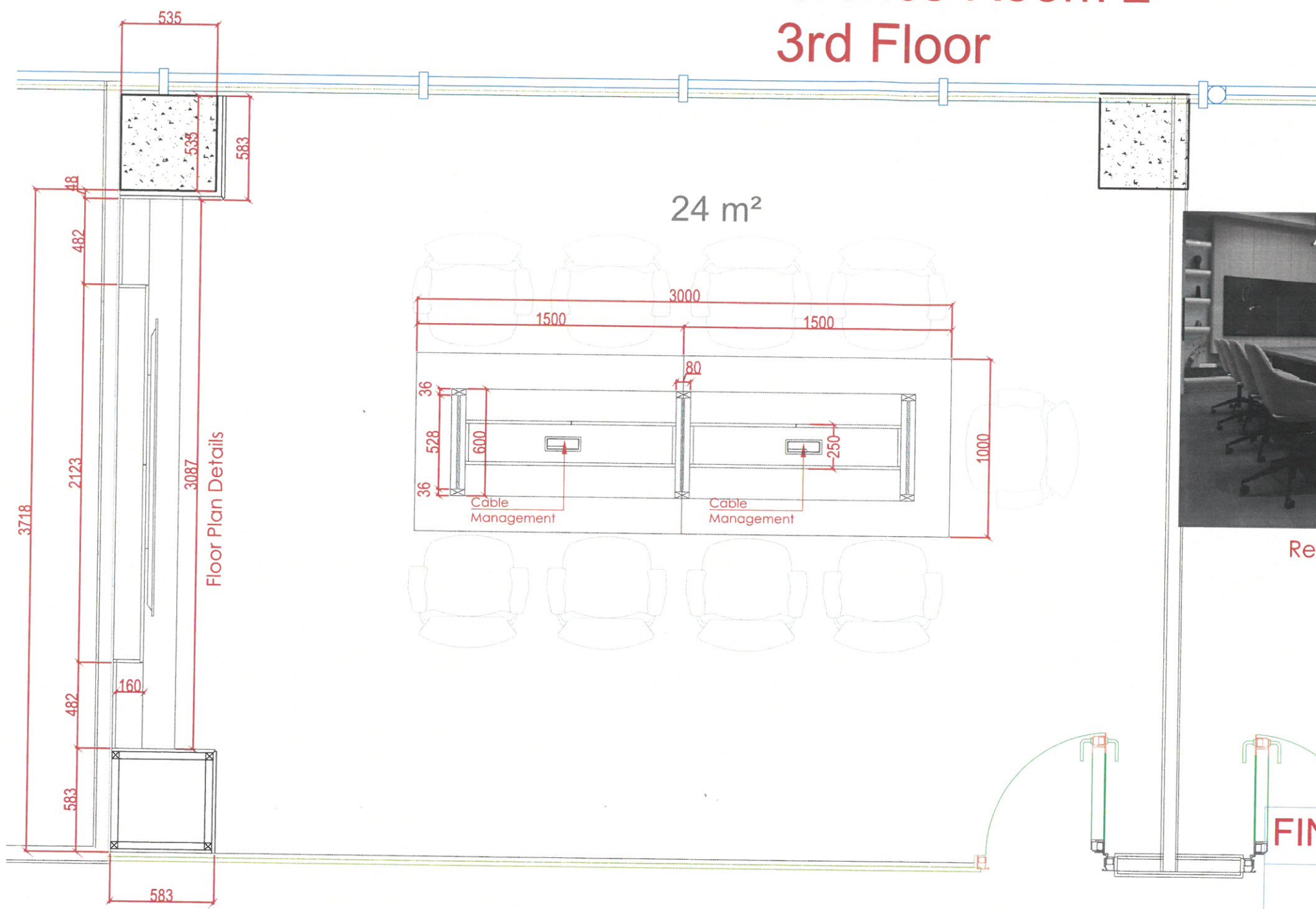
Nigeria, Lagos +234 80 9037 9888  
 Email: info@wood-styles.com

Project



Owner

Date	Description
DSD-V1-ID-27/1/2025 - REV1	
DSD-V1-ID-4/2/2025 - REV2	



Ref. Image



**FINISHES**

JN-03



LT-01



**FOR APPROVAL**

Project No. : ---  
 Scale : N/A  
 Drawn by : OBJ  
 Checked : OBJ  
 Cad File : CAD\_FILE

Sheet title  
**3rd FLOOR**  
**Conference Room 2**  
**Plan**

Dwg No. **WS-DS-SD-ND-057**

No. **SHEET 1**

Hallway  
 25 m²